

AIR PREPARATION UNITS

FRL MODULAR Series FRLM1A

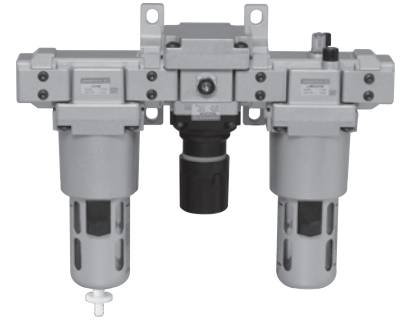
Cat No FRLM1A - 01 - B

FRL MODULAR WITH INTERNAL AUTODRAIN - 3/8, 1/2, 3/4, 1"

Individual Filter - Regulator combination & Lubricator units easily removable / mountable without disturbing the pipe line

Features

- Modular type for easy and fast maintenance
- Suitable for wall mounting
- Filter
 - Bronze filtering element
 - Separator and shield for efficient moisture separation
- Internal Autodrain - Float type, no electrical connections required
 - Manual drain is also provided / possible
 - Provision for drain tube connection, to take the condensate away from the unit, to keep the working area clean
- Regulator
 - Diaphragm operated, relieving type
 - Pressure compensated by balanced poppet
 - Flow compensated (with venturi) for faster response
 - Non raising 'Press to lock' adjusting knob for locking at any set pressure
- Lubricator
 - Fog / Mist type Lubricator
 - Fine adjustment of lubrication
 - Lubrication proportional to flow
- Steel bowl guard, bayonet type on FRLM14, FRLM15 & FRLM17 models
- Good flow and regulating characteristics



Technical Specifications

Model	FRLM14...A	FRLM15...A	FRLM17...A	FRLM17...A
Medium	Compressed air			
Port size	G3/8	G1/2	G3/4	G1
Pressure gauge port size	G1/8	G1/8	G1/4	G1/4
Flow rate [®] (lts / min)	2000	3500	3500	5000
Operating pressure (bar)	2 - 10			
Regulating pressure range [#] (bar)	0.2 - 2, 0.2 - 4, 0.5 - 7, 0.5 - 10 (Standard)			
Ambient temperature	+5° to +50° C			
Medium temperature	+5° to +50° C			
Filtration [#] (µm)	1, 5, 25, 40 (standard), 50, 100			
Min operating flow (lts / min)	40	45	50	50
Bowl capacity Filter (ml) (at maximum condensate level)	32	44	165	165
Bowl capacity Lubricator (ml) (at maximum oil level)	57	152	200	200
Recommended oil	ISO VG 32 (Servo System 32)			
Bowl material	Polycarbonate			
Installation	Any position for Regulator. Vertical for Filter and Lubricator			
Materials of construction	Aluminium, Bronze, Brass, Steel, Acetal, Polycarbonate, SS, Nitrile			
Optional accessories [*]	Pressure gauge			
Weight (Kg)	1.58	2.84	4.93	4.87

[®] Supply pressure 7 bar, Set pressure 6 bar, Pressure drop $\Delta p = 1$ bar (For standard models).

[#] For details see " How to order ".

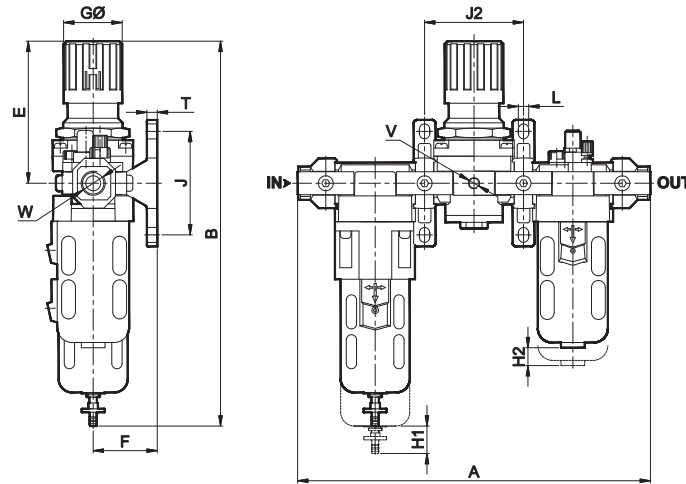
^{*} For details refer optional accessories Cat No APA - 01 - C

AIR PREPARATION UNITS

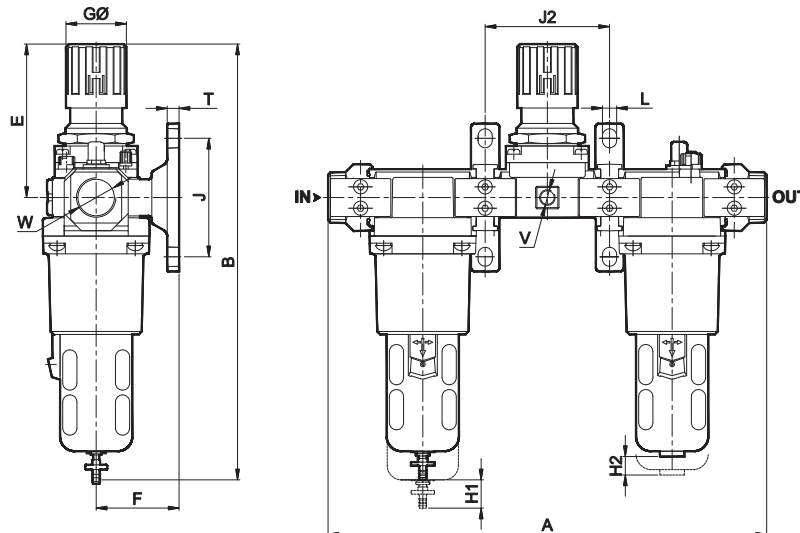
FRL MODULAR Series FRLM1A

Cat No FRLM1A - 01 - B

Model FRLM14...A, FRLM15...A



Model FRLM17...A



Model	W	V	A	B	E	F	GØ	J	L	T	J2	H1	H2
FRLM14...A	G3/8	G1/8	250	272	95	45	40	70	7	7	69	55	45
FRLM15...A	G1/2	G1/8	305	335	125	55	51	90	9	9	86	80	45
FRLM17...A	G3/4	G1/4	370	368	130	70	51	100	12	10	105	80	45
FRLM17...A	G1	G1/4	370	368	130	70	51	100	12	10	105	80	45

Precautions

1. Note the direction of flow before installation and connect piping accordingly.
2. Flush pipings for dirt, dust, rust and other foreign particles.
3. Install in clean atmosphere.
4. Nipples of taper threads (R) to be used with teflon tape. Ensure teflon tape does not enter the unit during tightening. Nipples of straight threads (G) to be used with sealing washer.
5. Polycarbonate bowls may get damaged and possibly fail if exposed to synthetic oils, thinner, solvents, trichloroethylene, kerosene or other aromatic hydrocarbons.

Pressure Setting

Pull the knob and adjust by turning the knob clockwise to increase the pressure. Push the knob back to its locked position. (Turning the knob counter clockwise will reduce the pressure)

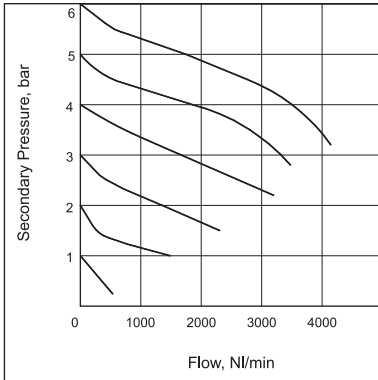
AIR PREPARATION UNITS

FRL MODULAR Series FRLM1A

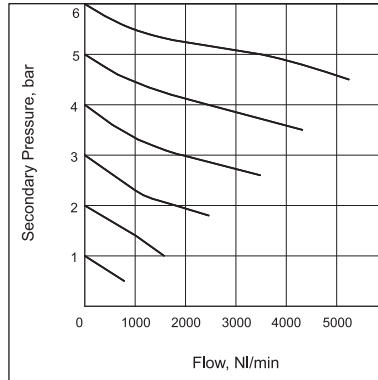
Cat No FRLM1A - 01 - B

Flow Graphs

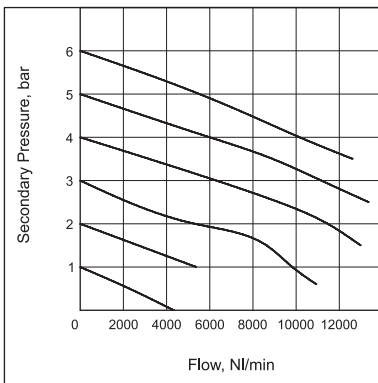
3/8" FRLM



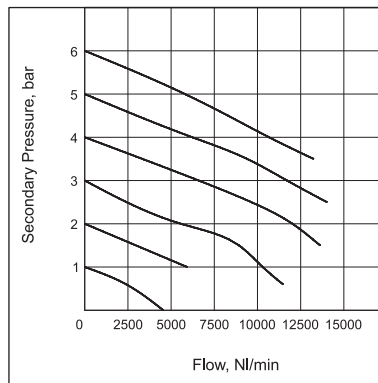
1/2" FRLM



3/4" FRLM



1" FRLM



Flow graphs are for 40µm filtrations only

How to order

FRLM1	462	3	4	—	A
Body & Port size		Filteration in µm		Pressure range	
462	G3/8	0	- 1	1	0.2 - 2 bar
563	G1/2	1	- 5	2	0.2 - 4 bar
764	G3/4	2	- 25	3	0.5 - 7 bar
765	G1	3	- 40 (Standard)	4	0.5 - 10 bar (Standard)
		4	- 50		
		5	- 100		
Internal Autodrain					

Ordering example:

Filter Regulator Lubricator Modular - 3/8 (with G3/8 port size) with 5µm Filter and pressure range 0.5 - 7 bar with InternalAutodrain: Ordering No: **FRLM146213-A**

If ordered as 3/8 FRLM with Internal Autodrain, our standard model **FRLM146234-A**, with 40µm Filter and pressure range 0.5 - 10 bar with Internal Autodrain will be supplied.